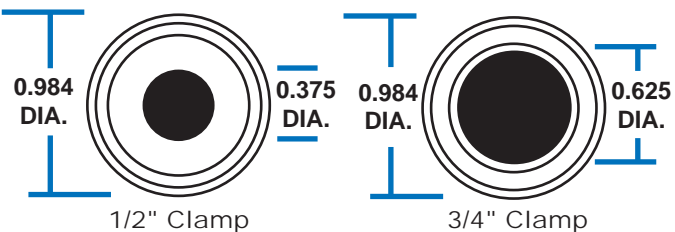


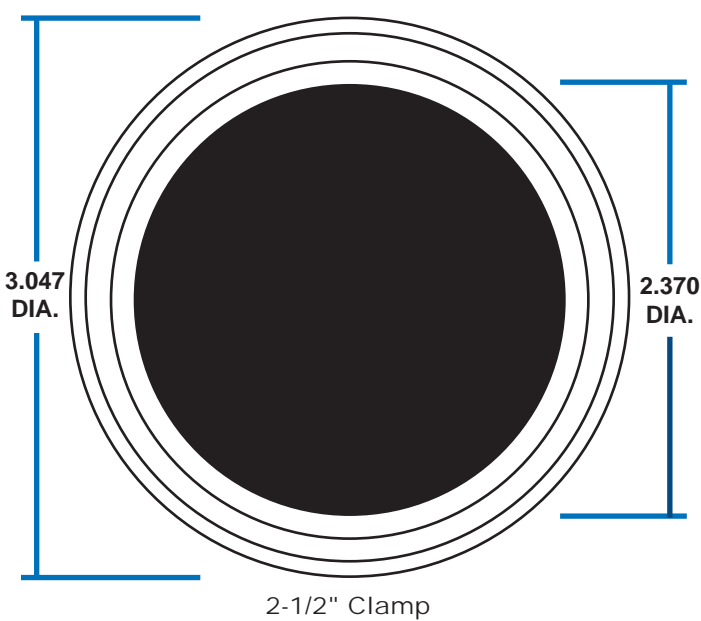
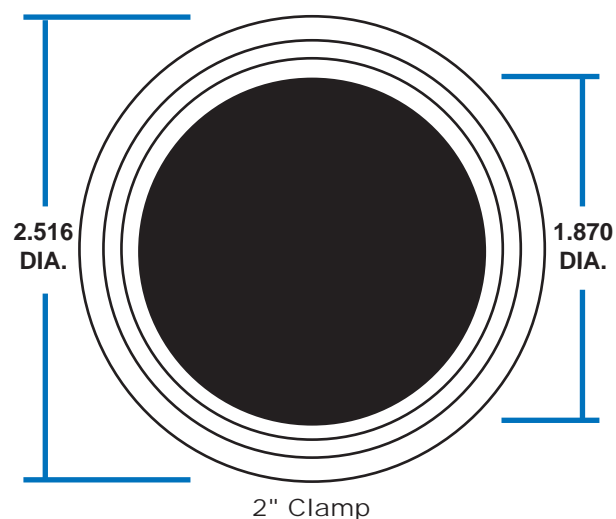
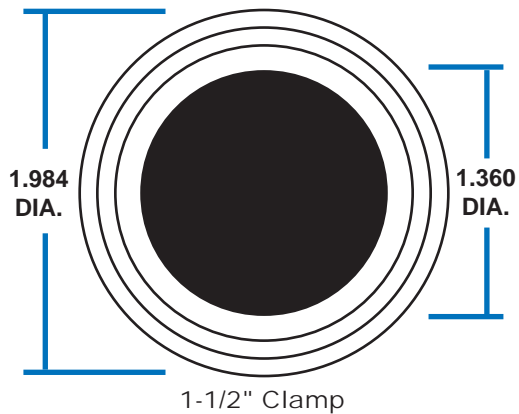
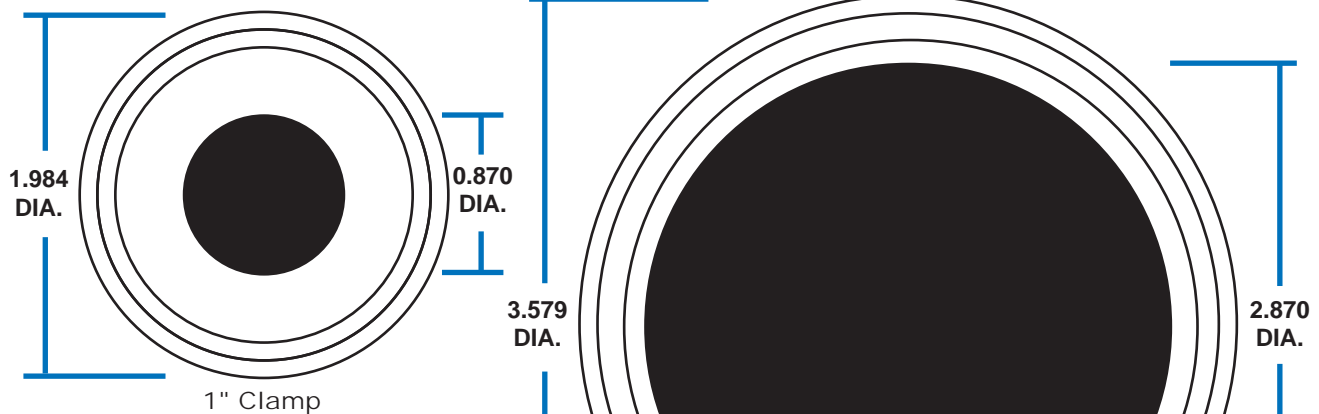


# Sanitary Clamp Size Chart

**Please Note:** The following image is sized to scale of actual sanitary tri-clamp fittings. 4" & 6" not shown on this page, however, their dimensions are listed at the bottom of this page.



0.984" O.D is the same for 1/2" & 3/4" I.D styles  
1.984" O.D is the same for 1" & 1-1/2" I.D styles  
Varying O.D for the 2", 2-1/2" & 3" I.D styles



4" Sanitary Clamp Gasket = 3.384 ID x 4.682 O.D  
6" Sanitary Clamp Gasket = 5.782 ID x 6.562 O.D