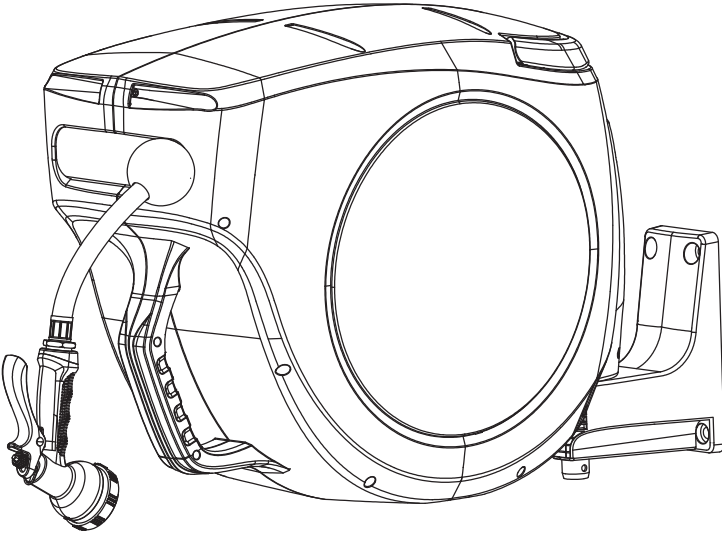


# GHSR-063X100

Garden Hose Spring Rewind Reel w/  
5/8" x 100FT Hose 9MM QC

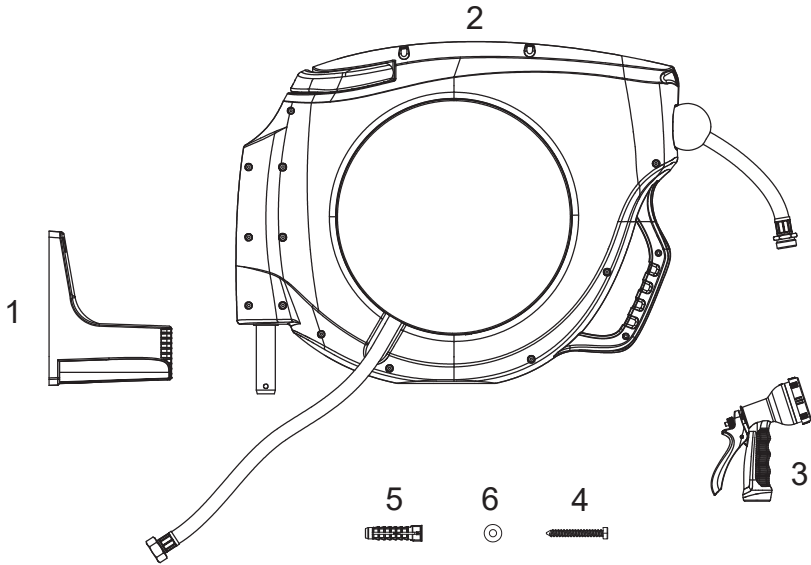
## User Manual



## Cautions

- The Retractable Garden Hose Reel is designed for home watering applications using cold water only. It is not intended for commercial applications.
- Before use ensure the reel is securely attached to wall and free of obstructions.
- Do not place under force on the reel casing. Doing so may damage the casing or the bracket.
- Children should not be allowed to operate or play with the Retractable Garden Hose Reel. Ensure children are clear of the hose and casing when unwinding.
- Always walk the hose back to the reel when rewinding.
- Regularly inspect the bracket and securing pin for signs of wear and tear.
- Do not leave the tap turned on and the hose filled with water (under pressure) when not in use.
- Always turn the water off at the tap and release the water from the hose when the hose reel is not in use.
- This product has a short break in period. If the hose does not roll all the way up the first few attempts, please pull all the way back out and let it roll up again. The more it is used the better it will roll up.
- Strength of the mounting area: masonry (brick) or solid timber are recommended. The supplied screws and pins are only suitable for use on masonry walls. On different types of wall structures, and appropriate fixing must be used.

# Contents



- 1. Wall Mounting Bracket
- 2. Hose Reel
- 3. Multi-purpose adjustable spray gun
- 4. Mounting Screws 4x
- 5. Wall Plugs 4x
- 6. Washer 4x

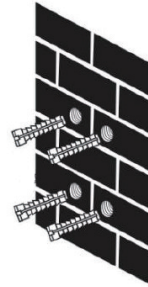
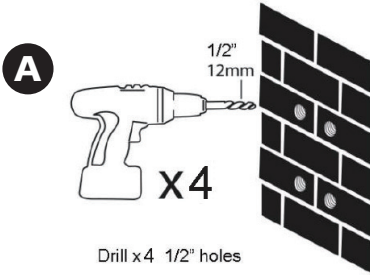
## Installation Instructions

1. Select a suitable position to mount the hose reel. This should be approximately at waist height vertically and close to your tap outlet.
2. Using the wall bracket as a template, mark the location of the 4 holes. Drill the holes using a 12 mm masonry drill bit and insert the 4 wall plugs. (Fig. A).
3. Align bracket on wall and secure with the 4 washers and screws (Fig. B).
4. Align the back of the reel with the wall bracket and secure by

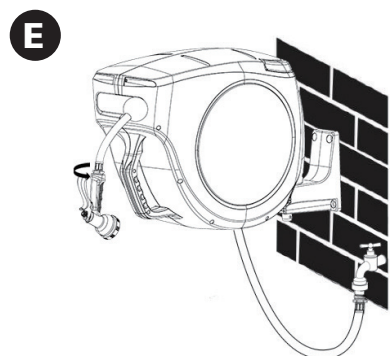
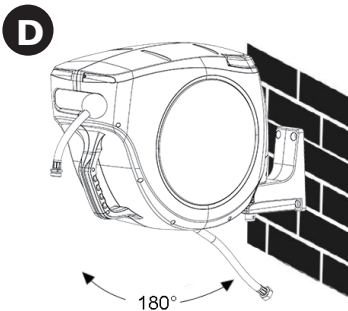
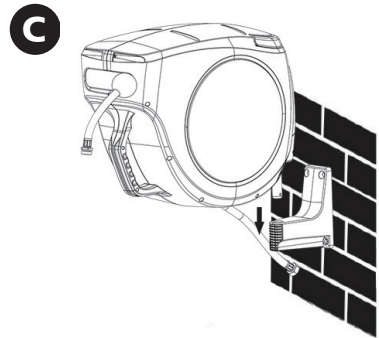
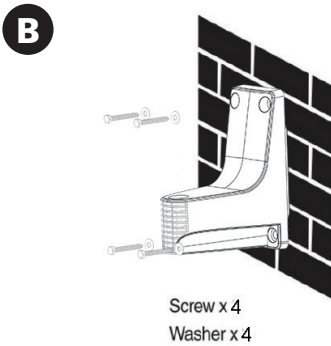
inserting securing pin into the bracket (Fig. C).

5. Test to ensure the reel rotates freely throughout 180° with the tap adaptor connected (Fig. D).

6. Attach the multi-purpose spray gun to the connector. To connect to the water supply, screw the hose connector onto the tap (Fig. E).



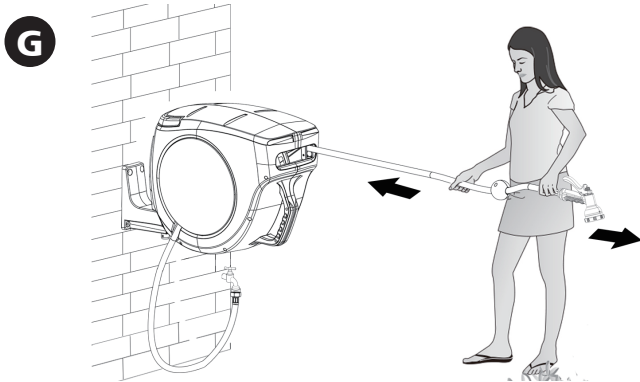
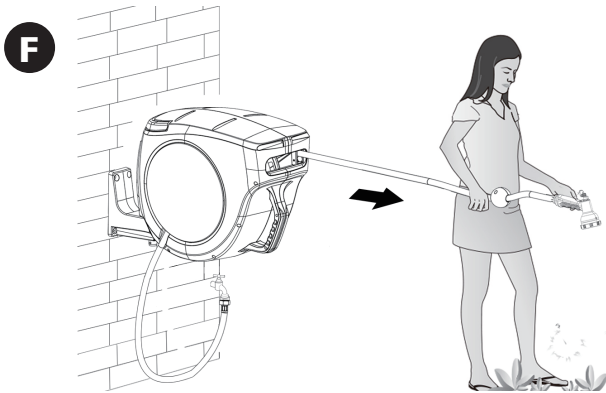
Wall plug x 4



# Instructions for Use

Now that your retractable garden hose reel is securely mounted and connected to the tap. It is ready for use.

1. Before first use, turn the water on at the tap and unwind the hose. The hose will unwind by simply taking hold of the hose and walking away from the reel. This will allow water to flow freely through the hose and reel(Fig. F).
2. The automatic locking ratchet will hold the hose in place at the desired length. The mechanism will 'click' as the hose is locked into place.
3. To retract the hose, pull on the hose until you feel the reel release and start to retract the hose. It is recommended that you walk the hose back to the reel(Fig. G).
4. When walking back to the reel, release the water pressure in the hose (through the hand spray or nozzle). This will ensure full and even retraction of the hose.



**MADE IN CHINA**

**RoHS**

