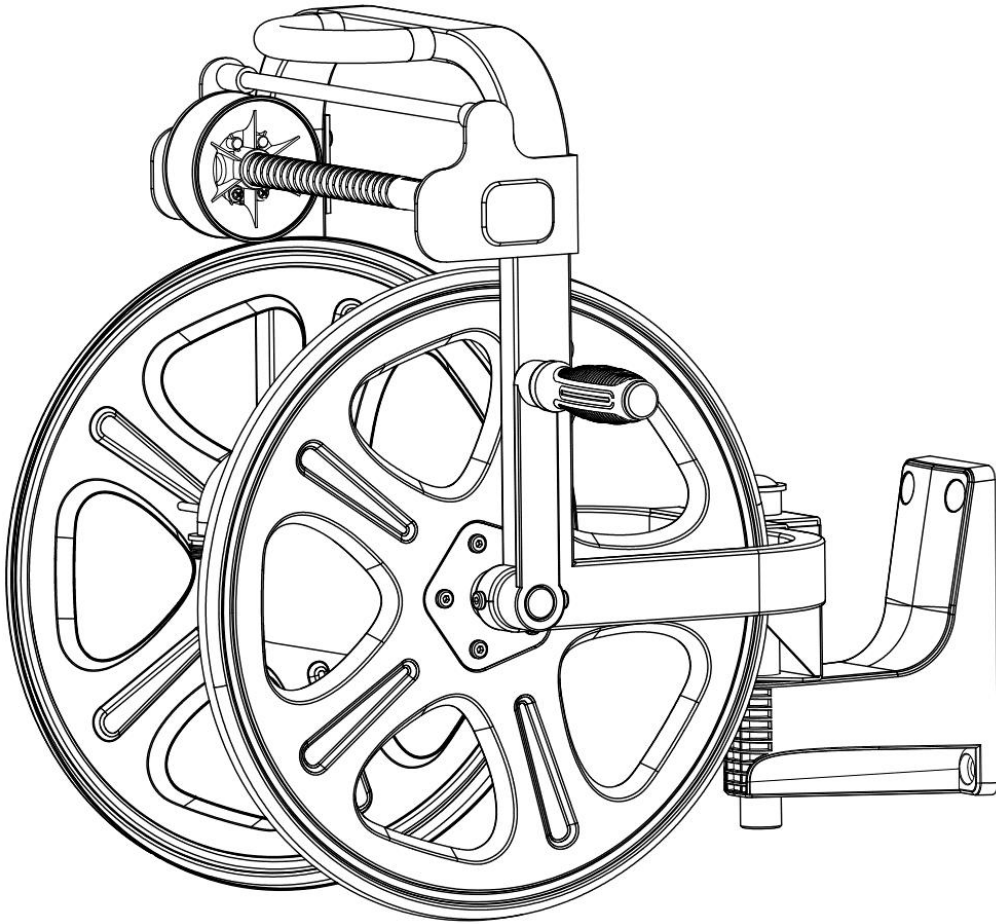


GH125-WM

**5/8" x 125FT Pro-Grade
Metal Hose Reel**

User Manual



IMPORTANT, RETAIN FOR FUTURE REFERENCE: READ CAREFULLY



WARNING

- The Wall Mount Metal Hose Reel is designed for home watering applications using cold water only. It is not intended for commercial applications.
- The Wall Mount Metal Hose Reel is not intended for use as a portable water source. The hose is not for drinking water use.
- Please carefully consider the appropriate method to be used when mounting this hose reel. Hardware is included for your convenience, but may not be suitable for all mounting conditions. Some surfaces like siding or stucco may require special considerations or additional hardware. Improper mounting can cause personal injury or property damage. If you are unsure, contact a home improvement professional.



CAUTION

- Before use, ensure the wall bracket is securely attached to the wall and hose reel is firmly hung on the mounting bracket.
- When you are finished using your hose reel, turn off the water source.
- Release pressure when not in use.
- Do not over tighten the connectors as this may cause damage.
- Be sure to attach garden hose to the hose connectors correctly. Cross-threading could cause permanent damage.

MAINTENANCE

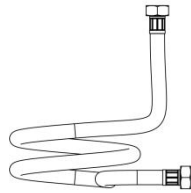
- It is recommended that the hose reel be stored indoors during winter months. Freezing temperatures could damage the hose and watering accessories. If hose reel must be left in freezing conditions, disconnect the hose from faucet and drain all water out of hose and reel.
- To help delay rust, it is recommended to inspect the hose reel periodically for any surface damage and paint with clear acrylic paint after cleaning.



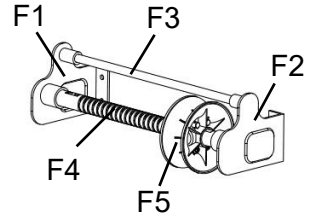
PARTS INCLUDED



A. Crank handle

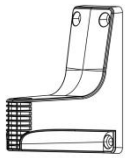


B. 5ft Leader hose



F. Hose guide device including:

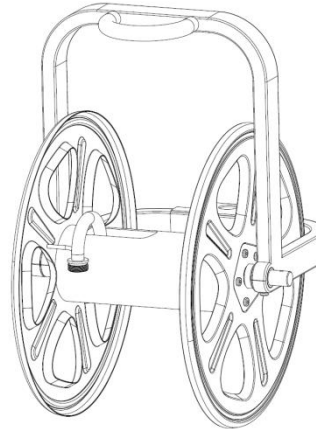
- F1. Left bracket
- F2. Right bracket
- F3. Metal limit rod
- F4. Screw rod
- F5. Pulley



C. Wall Mounting bracket



D. Securing tube



E. Hose reel

HARDWARE INCLUDED



Aa. Crank Bolt x1



Bb. Washer x4



Cc. Wall screw x4



Dd. Wall anchors x4

TOOLS REQUIRED



Wrench (Supplied)



Power Drill



3/8" Masonry Drill Bit



Socket wrench



Adjustable Wrench



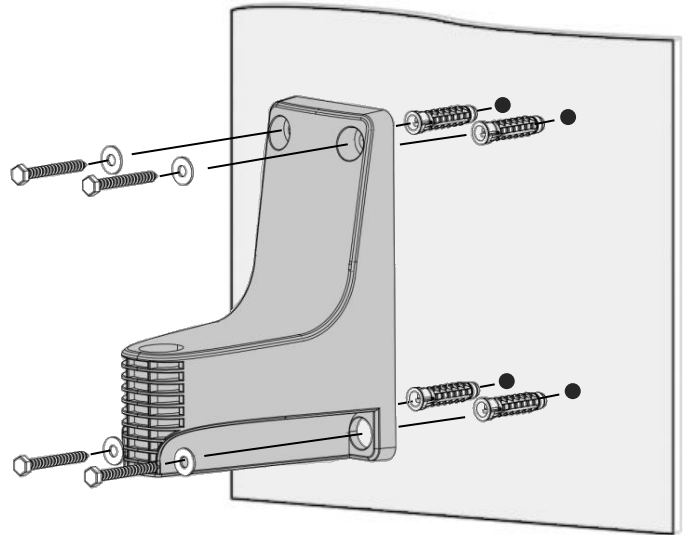
Pencil



WALL MOUNTING BRACKET INSTALLATION

- **Mounted on brick & masonry wall using supplied hardware**

1. Select a suitable position to mount the hose reel. Using the wall bracket as a template, mark the location of 4 suspension holes on the wall.
2. Drill the holes with a 3/8" masonry drill bit at the marked position and insert the wall anchors(Dd).
3. Align the wall bracket to the wall and secure into place using wall screws(Cc) with washers(Bb). Tighten securely.



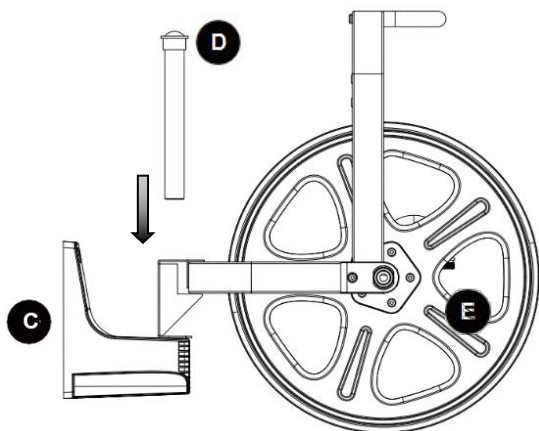
- **Choose proper hardware for mounting on other walls.**

TIP: When winding with a 125ft 5/8" garden hose and filled with water, the whole unit can weigh more than 55lbs. Before installation, make sure that mounting hardware is able to support the total weight of the unit.

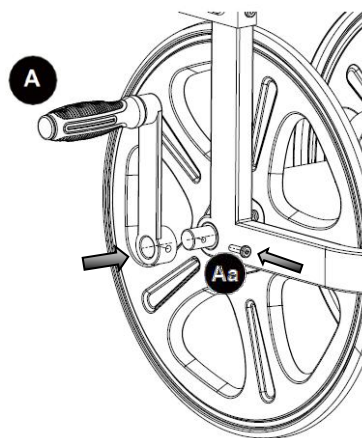


ASSEMBLY

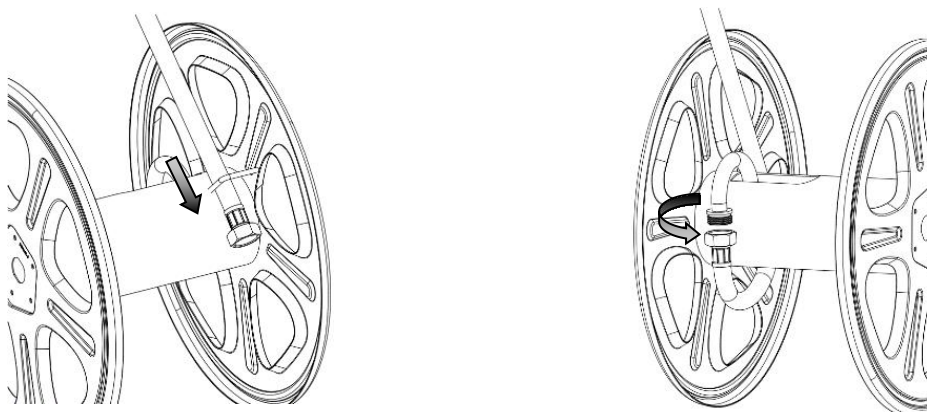
1. Place the hose reel (E) on the wall mounting bracket (C) and secure it with the securing tube (D).



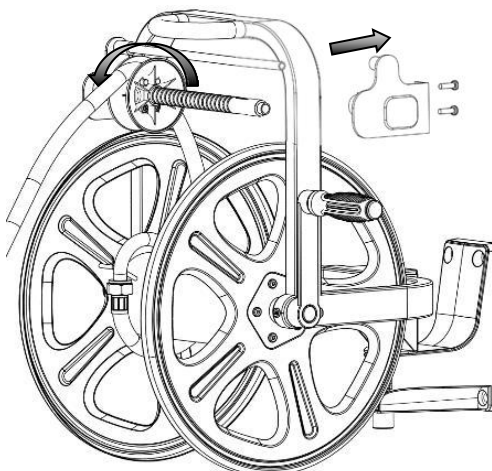
2. Align the holes in the crank handle (A) with the crank handle shaft on the hose reel. Insert the bolt (Aa) into the crank handle and tighten with supplied wrench.



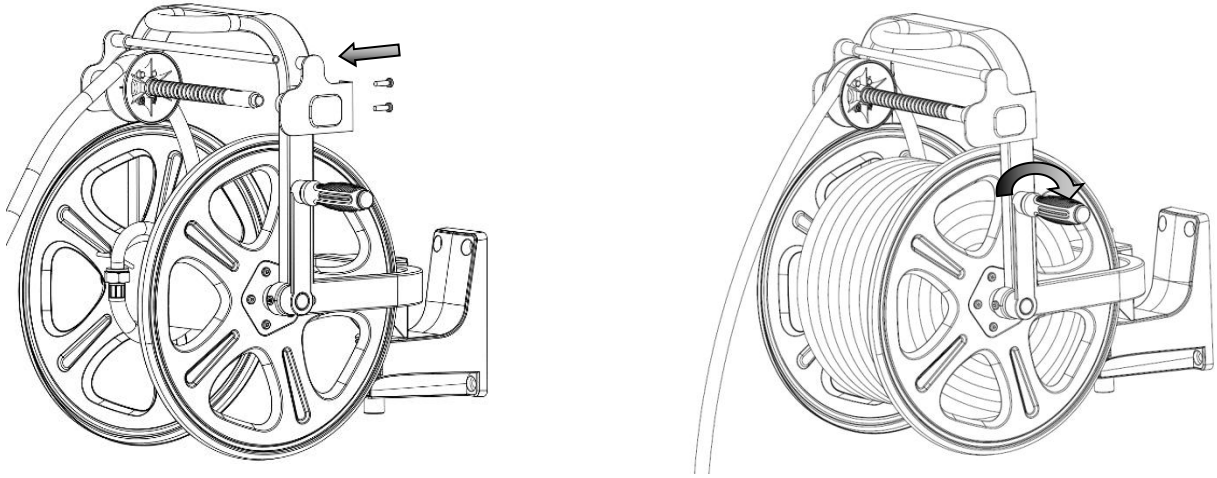
3. Pass your garden hose through the square retainer ring and screw it to the hose connector on the hose reel.



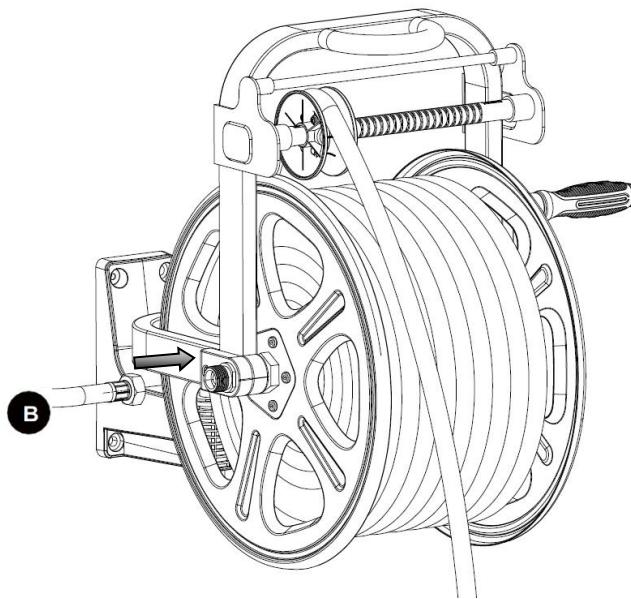
4. Remove the metal right bracket of the hose guide device, keep the 2 bolts. Remove the metal limit rod, load the garden hose into the pulley groove of the hose guide device. Roll the pulley to the far left of the screw rod.



5. Insert the screw rod with pulley and the metal limit rod into the positioning holes of the right bracket of the hose guide. Install the right bracket on the frame of hose reel and tighten it with 2 bolts. Hold the handle on the top of hose reel and turn the crank handle clockwise to wind the hose.



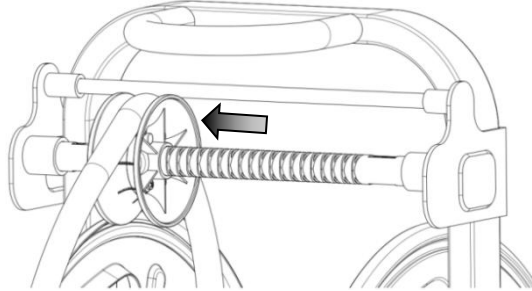
6. Attach one end of leader hose(B) to inlet connector on the hose reel. Attach the other end of leader hose to water source. The hose reel holds up to 125 ft. of 5/8" garden hose.



TROUBLESHOOTING GUIDE

Problem: Hose irregular layering

Solution: Pull the garden hose out from your hose reel completely and roll the pulley to the far left of screw rod. Rewind the hose again.



Problem: Water leakage at the connectors

Solution: Tighten all water connections with Adjustable Wrench correctly. Cross-Threading could cause permanent damage. Check the rubber gasket washers to make sure they are properly seated. Replace washers if damaged.

