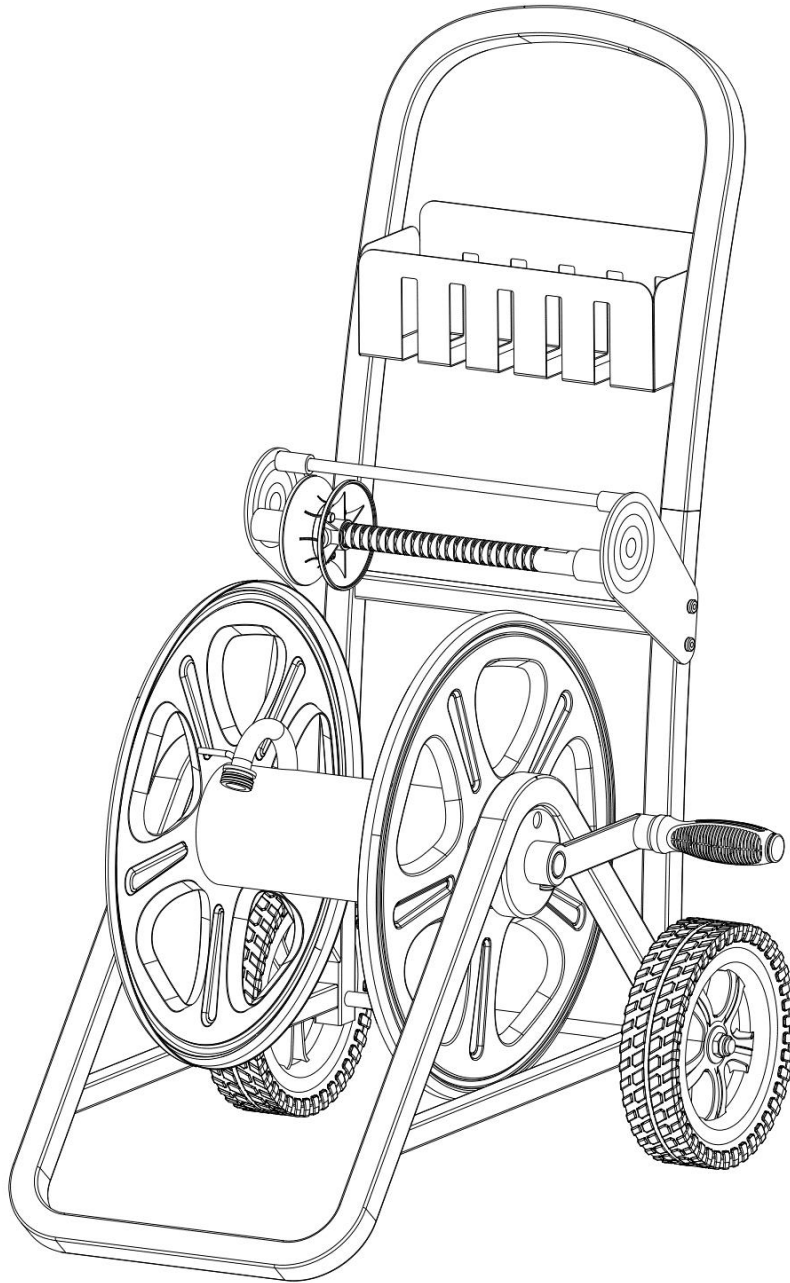


# GH125-CT

5/8" x 125FT Pro-Grade Metal 2 Wheel  
Hose Reel Cart

## User Manual



**IMPORTANT, RETAIN FOR FUTURE REFERENCE: READ CAREFULLY**



## **WARNING**

- The Metal Hose Cart is designed for home watering applications using cold water only. It is not intended for commercial applications.
- The Metal Hose Cart is not intended for use as a portable water source. The hose is not for drinking water use.



## **CAUTION**

- When you are finished using your hose reel, turn off the water source.
- Release pressure when not in use.
- Do not over tighten the connectors as this may cause damage.
- Be sure to attach garden hose to the hose connectors correctly. Cross-threading could cause permanent damage.

## **MAINTENANCE**

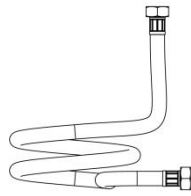
- It is recommended to store hose cart indoors during winter months. Freezing temperatures could damage the hose and watering accessories. If hose cart must be left in freezing conditions, disconnect the hose from faucet and drain all water out of hose and reel.
- To help delay rust, it is recommended to inspect the hose cart periodically for any surface damage and paint with clear acrylic paint after cleaning.



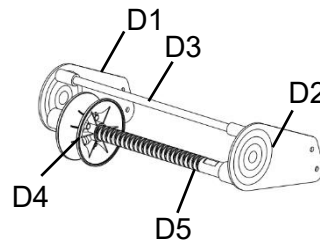
## PARTS INCLUDED



A. Crank handle



B. 5ft Leader hose



D. Hose guide device including:

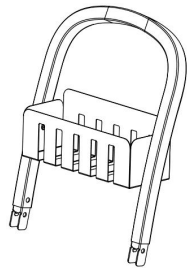
D1. Left bracket

D2. Right bracket

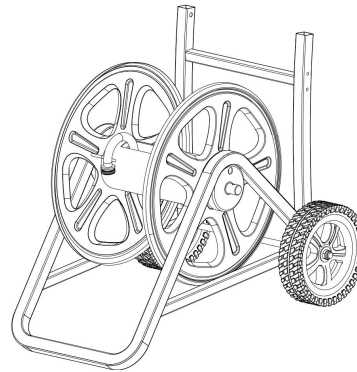
D3. Metal limit rod

D4. Pulley

D5. Screw rod



C. Handle assembly



E. Reel bracket assembly

---

## HARDWARE INCLUDED



Aa. Bolt x4

---

## TOOLS REQUIRED:



Wrench (Supplied)

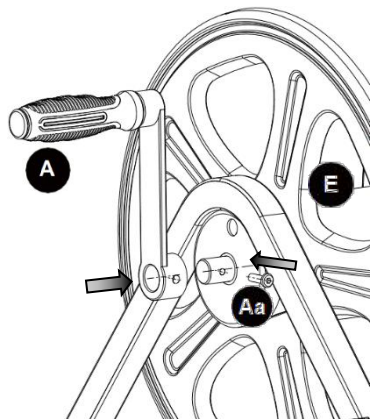


Adjustable Wrench

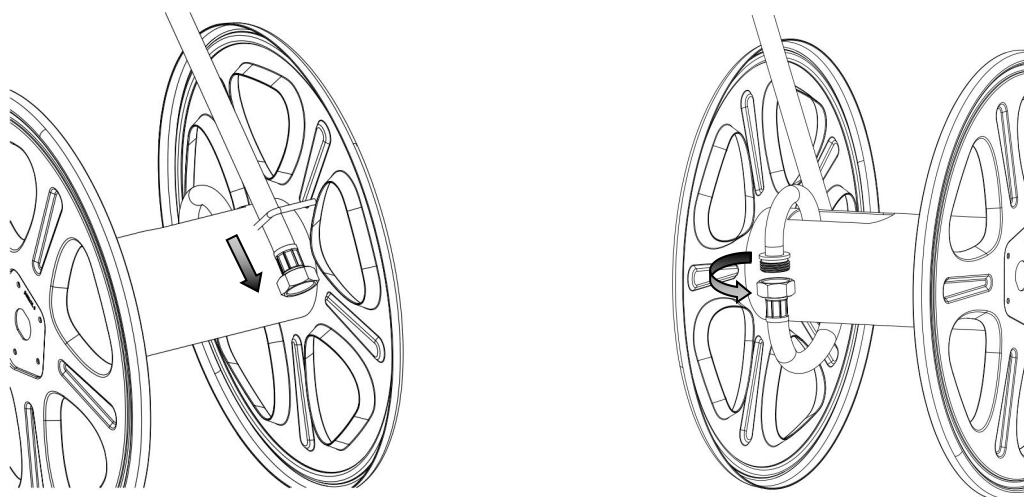


## INSTALLATION

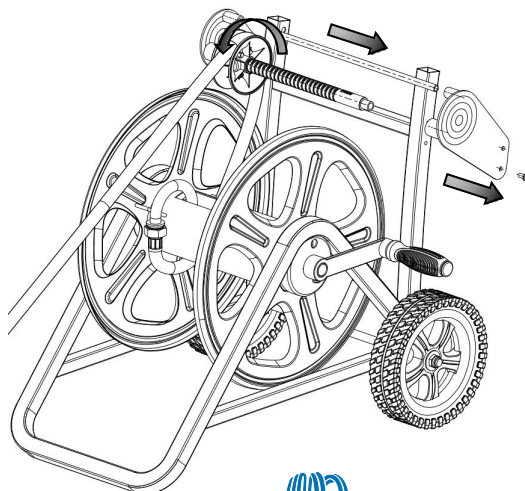
1. Align the holes in the crank handle (A) with the crank handle shaft on the hose cart. Insert the bolt(Aa) into the crank handle and tighten with supplied wrench.



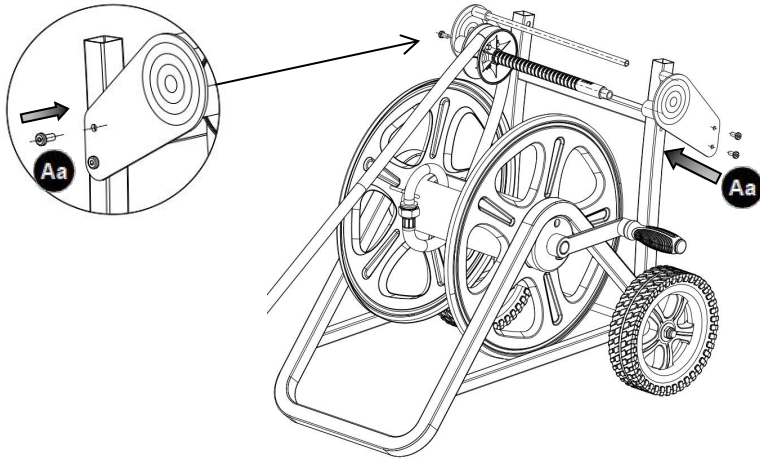
2. Pass your garden hose through the square retainer ring and screw it to the hose connector on the hose reel.



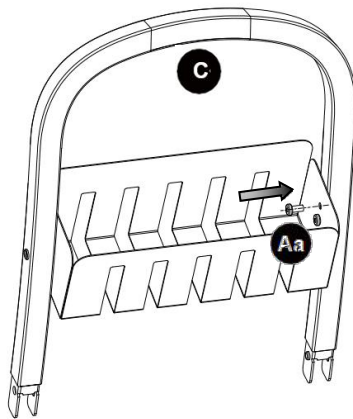
3. Remove the metal right bracket of the hose guide components, keep the bolt. Remove the metal limit rod, load the garden hose into the pulley groove of the hose guide device. Roll the pulley to the far left of the plastic screw rod.



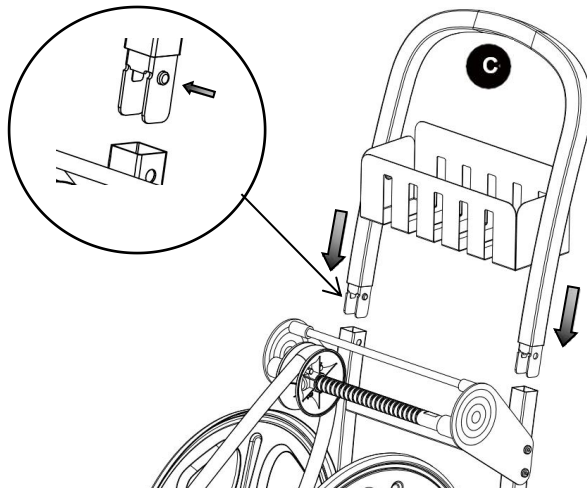
4. Insert the plastic screw rod with pulley and the metal limit rod into the positioning holes of the right bracket of the hose guide. Install the right bracket on the frame of hose cart and tighten it with 2 bolts (Aa and the bolt removed in the last step). Align the bolt hole on left bracket to the bolt hole on reel bracket, tighten them with 1 bolt (Aa).



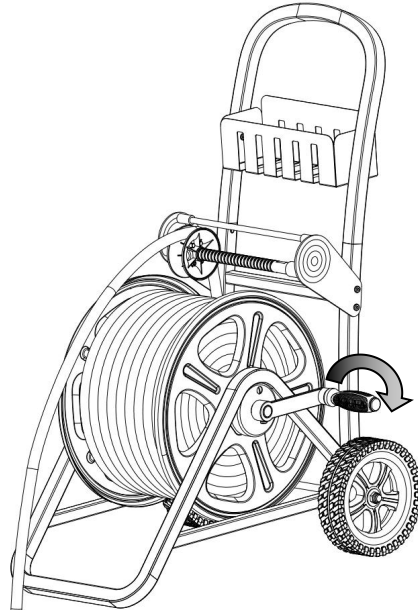
5. Align the bolt hole on metal basket to the bolt hole on handle assembly (C), tighten them with 1 bolt (Aa).



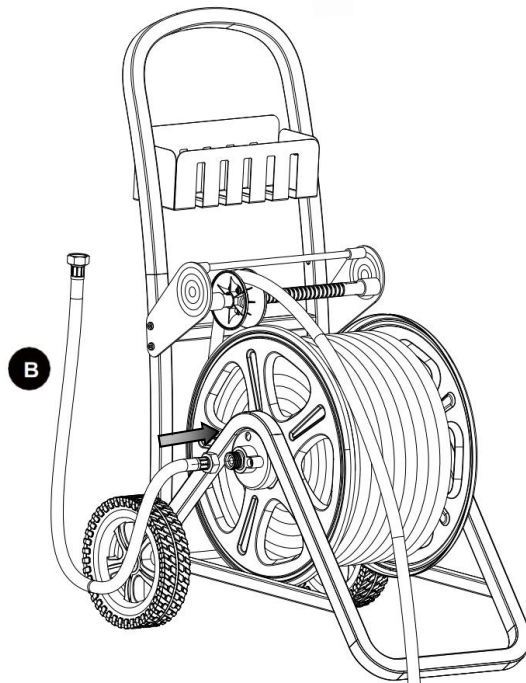
6. Install the upper handle assembly (C). Press the 2 elastic buttons on the socket of the reel bracket, align and insert the 2 holes at the bottom of handle components.



7. Turn the crank handle clockwise to rewind the hose.



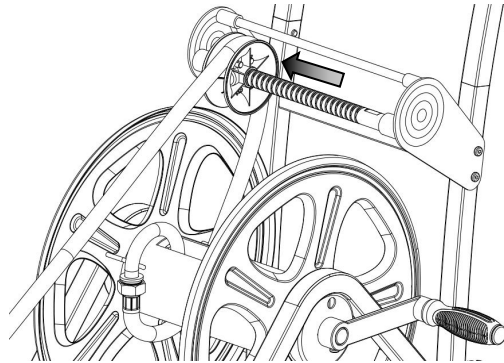
8. Attach one end of leader hose (B) to inlet connector on the hose reel. Attach the other end of leader hose to water source.



## TROUBLE SHOOTING GUIDE

**Problem:** Hose kinks and tangles

**Solution:** Pull the garden hose out from your hose reel completely and roll the pulley to the far left of screw rod. Rewind the hose again.



**Problem:** Water leakage at the connectors

**Solution:** Tighten all water connections with Adjustable Wrench correctly. Cross-Threading could cause permanent damage. Check the rubber gasket washers to make sure they are properly seated. Replace washers if damaged.

